

# PURUS 20

Pure Performance



ALL PFA/PTFE  
MATERIALS

INTEGRATED  
FLARE FITTING  
(OTHER OPTIONS  
AVAILABLE)

COMPACT SIZE

WELDED  
CONSTRUCTION

Driven by the needs of process technicians for a maintenance free, high purity chemical pump, Trebor designed the Purus 20, which took a revolutionary approach to PFA injection molding. The approach created a reliable, leak proof, disposable pump that costs less than most other company's rebuild kits. The Purus 20 is well-suited for low flow, chemical waste and transfer applications where time spent on pump maintenance is undesirable.

***This is PURE INNOVATION.***



**MAX FLOW**  
20 LPM / 5.3 GPM



**MAX TEMPERATURE**  
120 °C / 248 °F



**MAX PRESSURE**  
80 PSI / .55 MPa

*Maximum temperature, pressure capability, and flow rates will fluctuate depending on the operating conditions. See the pump manual for general guidelines.*

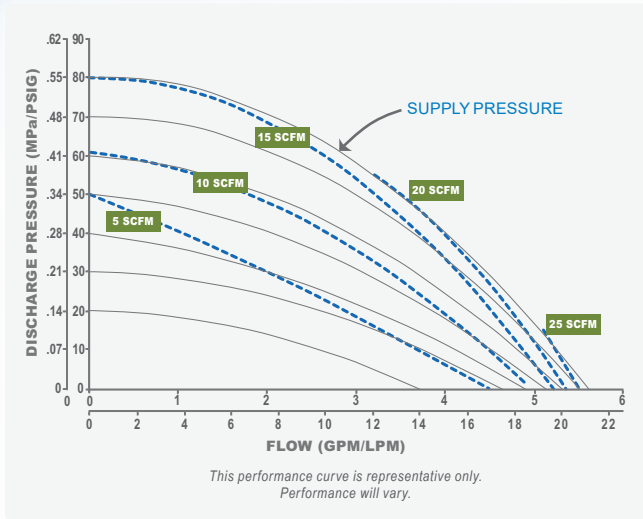
**TREBOR**

[treborintl.com](http://treborintl.com)

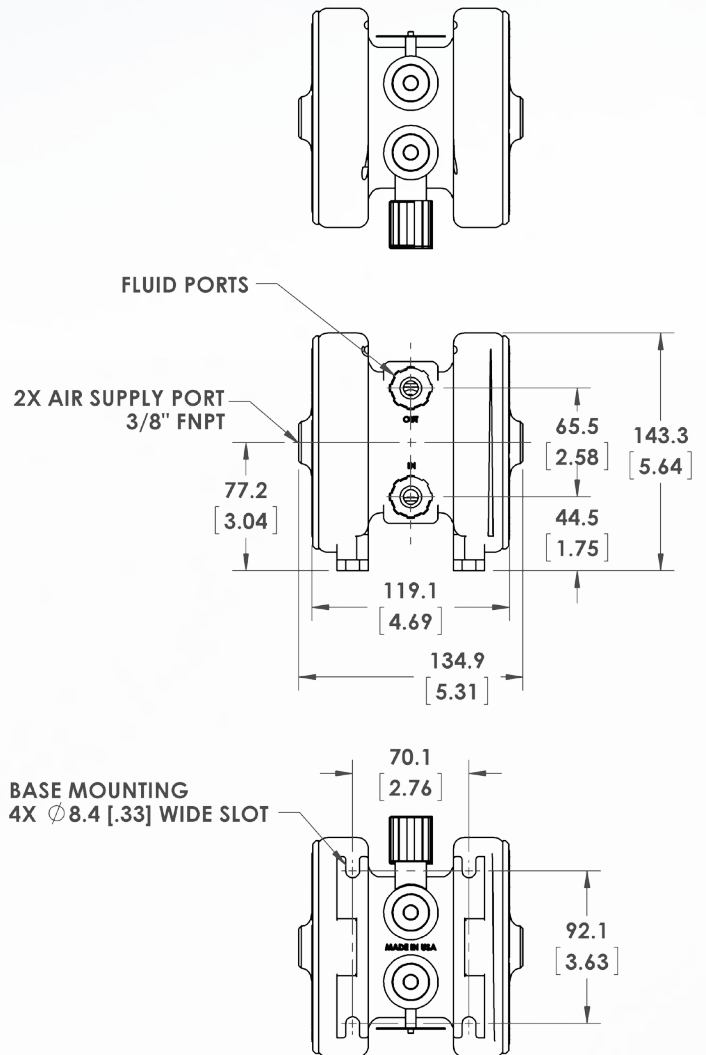
Trebor International | North/South America +1 800 669 1303 | Europe +49 9120 1804-65 | Asia +65 6684 7319

A Unit of IDEX Corporation

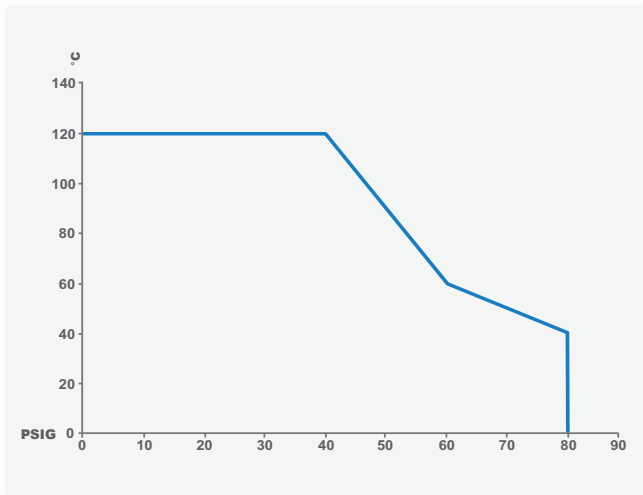
### FLOW PERFORMANCE



### DIMENSIONS IN MILLIMETERS (IN.)



### PRESSURE & TEMPERATURE CAPABILITIES



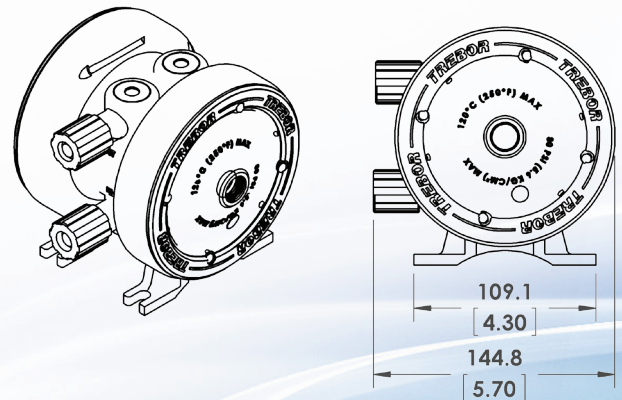
### PUMP OPTIONS

PUMP	P20F00	Purus 20 Pump - PFA
FLUID CONNECTION	0	1/2" Flare
	1	1/2" Pillar Super 300
OPTIONS	B0	Push Plate with Retaining Screw

Example of an order number based on configuration options:

P20F000 B0

Compatible with our PC7 Controller



All Purus 20 pumps come with 1/2" flare style connections. PVDF nuts and 90° elbow air fittings are supplied for optional use.

Trebor uses virgin PTFE and PFA in all products...no re-processed material is allowed.

Trebor International | North/South America +1 800 669 1303 | Europe +49 9120 1804-65 | Asia +65 6684 7319