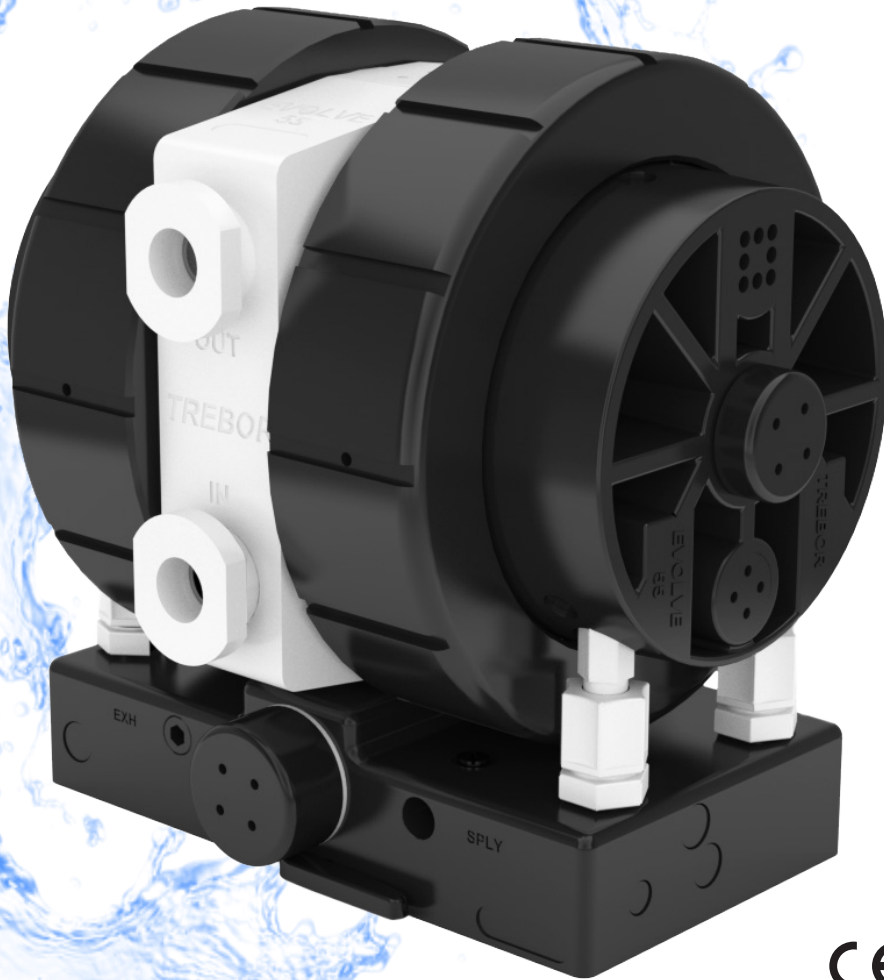


EVOLVE 55

An Engineered Evolution



CE

MAX FLOW
56 LPM / 15 GPM

PATENTED
RESTRAINED,
UNATTACHED DIAPHRAGM

DIFFUSER HEAD
TECHNOLOGY

SMART PILOT
TECHNOLOGY

PATENTED
NON-STALL
SHUTTLE SYSTEM



The Evolve 55 was engineered to improve cost, reliability, pressure capability, and flow rate starting from the classic and reliable M50 design. Working with our customers and vendors the E55 packs improved performance and longer life into the same footprint as the M50 at a lower cost. Diaphragm life is enhanced further by the Diffuser Head™ technology and patented seal design. The Evolve 55 is also available with the patented Magnetic Shuttle to reduce pneumatic wear and decrease cost of ownership.

TREBOR®

treborintl.com

Trebor International | North/South America +1 800 669 1303 | Europe + 49 9120 180465 | Asia +65 974 74002

A Unit of IDEX Corporation

© Copyright 2022, Trebor Inc. All rights reserved.

**MAX FLOW**

56 LPM / 15 GPM

**MAX TEMPERATURE**

100 °C / 212 °F

**MAX PRESSURE**

0.69 MPa / 100 PSI

**DRY SUCTION LIFT**

4 m / 13 ft

**MATERIALS**

VIRGIN PTFE/PFA Fluid Path

**APPLICATIONS**Semiconductor/Electronics, LED/
Flat Panel, Chemical Processing
Delivery, Aerospace



PUMP OPTION

EVOLVE 55 | OPTIONS

PUMP	E55D	Evolve 55 Distribution
	E55E	Evolve 55 External Control
OPTIONS	A1	PVDF Union Nut
	A2	PP Union Nut
	M2	Magnetic Shuttle & PP Union Nut (E55D Only)

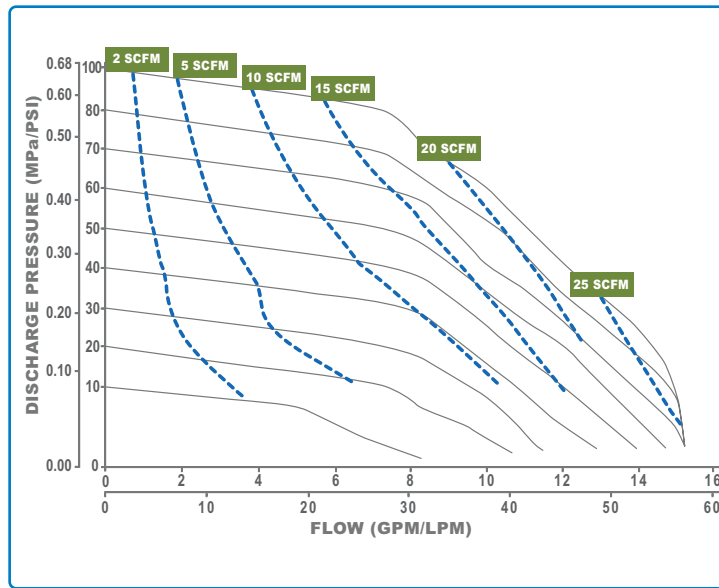
Example of an order number based on configuration options:

E55D **M2**

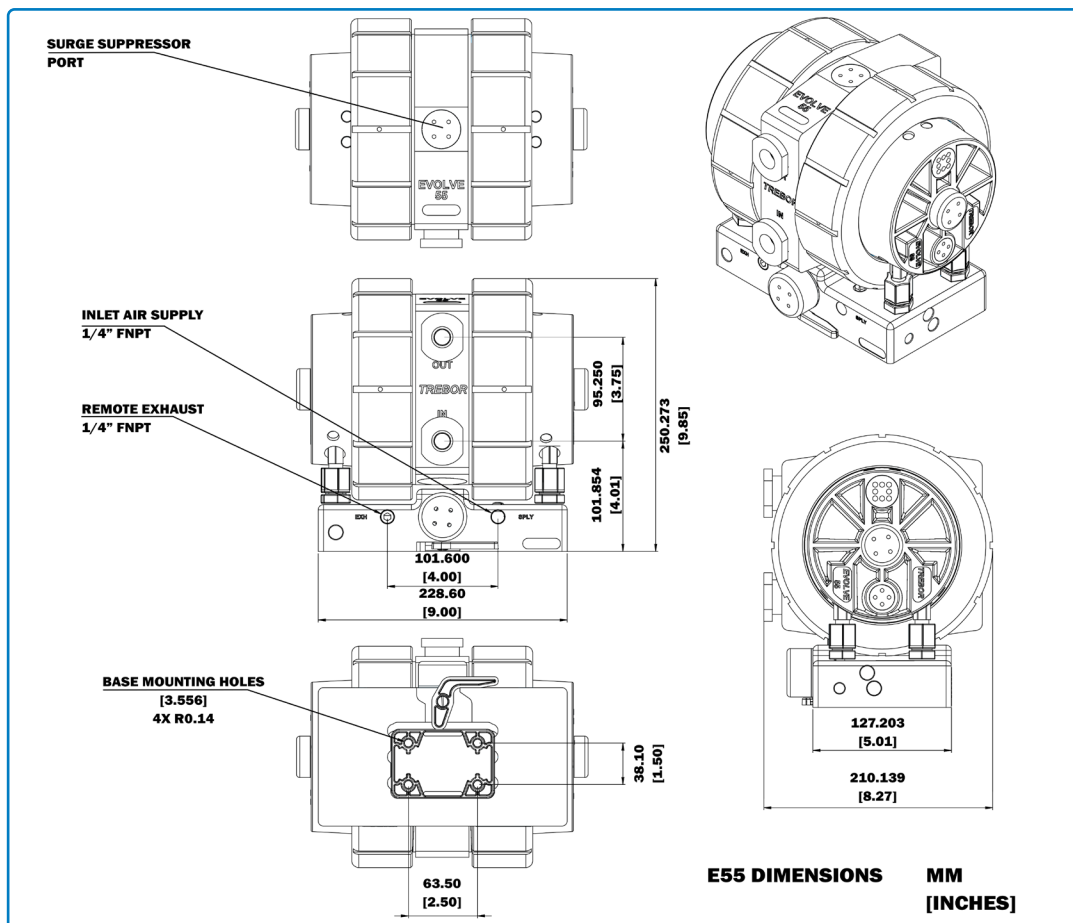
EVOLVE 55 | ACCESSORIES

FLUID FITTINGS	BK037	ADAPTER PORT GROUP, FLARE, 3/4"
	BK039	ADAPTER PORT GROUP, FLARE, 1"
	AK157	ADAPTER PORT GROUP, STUBOUT, 3/4"
<small>More Options Available, Contact Trebor for Information</small>		
SURGE SUPPRESSOR	SS85P1A0	Port Mounted
	SS95P1A0	Port Mounted (PVDF Union Nut)
PROBES	DP-S-01	AMPLIFIER; CYCLE/LEAK; (PNP)
	DP-S-02	AMPLIFIER; CYCLE/LEAK; (NPN)
	DP-C-2	CYCLE
	DP-C-23	END OF STROKE
	DP-C-27	CYCLE; MAGNETIC SHUTTLE
	DP-L-20	LEAK SENSOR
<small>More Options Available, Contact Trebor for Information</small>		

FLOW PERFORMANCE



DIMENSIONS & CONNECTIONS



TREBOR®

Trebor Internaional
8100 South 1300 West
West Jordan, Utah 84088 USA
Toll Free: (800) 669 1303
Email: treborinfo@idexcorp.com

TREBOR - NORTH AMERICA

8100 South 1300 West
West Jordan, Utah 84088 USA
Tel: (800) 669-1303
Mobile: (385) 255-6003
Regional Sales Manager: Keith Warner
Email: TRE-CustomerServiceNA@idexcorp.com

TREBOR - EUROPE / MIDDLE EAST

Kalkofenstrasse 24 A
D-91227 Leinburg, Germany
Tel: +49 9120 1804-65
Mobile: +49 170 2413562
Regional Sales Manager: Manfred Stiegler
Email: MStiegler@idexcorp.com

TREBOR - ASIA

11 Ubi Road 1
Singapore, 408723
Office: +65 66847304
Mobile: +65 97474002
Regional Sales Manager: Anthony Neo
Email: ANeo@idexcorp.com

