

MEGA 120

High Flow Chemical Delivery



CE

**HIGH
BACKPRESSURE
CAPABLE**

**FLOATING O-RING
CHECK VALVE
(PATENTED)**

**ALL PFA/PTFE
FLOW PATH**

**REPLACEABLE
SHAFT BUSHING**

**NON-STALL
SHUTTLE VALVE**

The Mega 120 was designed to meet the requirement of mega fabs. The increased check valve dimensions and fluid ports make the Mega 120 the ideal pump. As fabs improved their designs to get the most out of every square foot, the ability to pump against gravity is necessary. The Mega 120 evolved from the 960 to meet the higher flow and pressure requirements. High suction and immediate response to system backpressures are staples on the Mega 120 due to the patented floating o-ring design and smart pilot technology (D style). Get the most out of fab space by utilizing the effective delivery of the Mega 120.

**TREBOR®**

treborintl.com

Trebtor International | North/South America +1 801 244-6156 | Europe + 49 170 2413562 | Asia +65 97474002

A Unit of IDEX Corporation

© Copyright 2021, Trebor Inc. All rights reserved.

**MAX FLOW**

120 LPM / 32 GPM

**MAX TEMPERATURE**

100 °C / 212 °F

**MAX PRESSURE**

0.55 MPa / 80 PSI

**DRY SUCTION LIFT**

5.5 m / 18 ft

**MATERIALS**

VIRGIN PTFE/PFA Fluid Path

**SHIPPING WEIGHT**

22.67 kg/ 50 lbs.

**APPLICATIONS**Semiconductor/Electronics, LED/
Flat Panel, Chemical Processing
Delivery, Aerospace



MEGA 120 | OPTIONS

PUMP	120D	Mega 120 Pump Chemical Delivery
	120E	Mega 120 Pump External Control
SEALS	0	FKM Air-Side Seals
OPTIONS	A0	Standard Base
	A1	Quick Change Base
	MO	Magnetic Shuttle with Quick Change Base (120D Only)

Example of an order number based on configuration options:

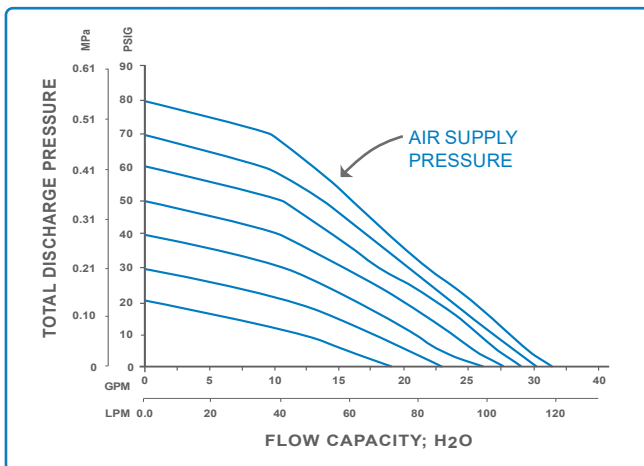
120D	0	MO
-------------	----------	-----------

PUMP OPTION

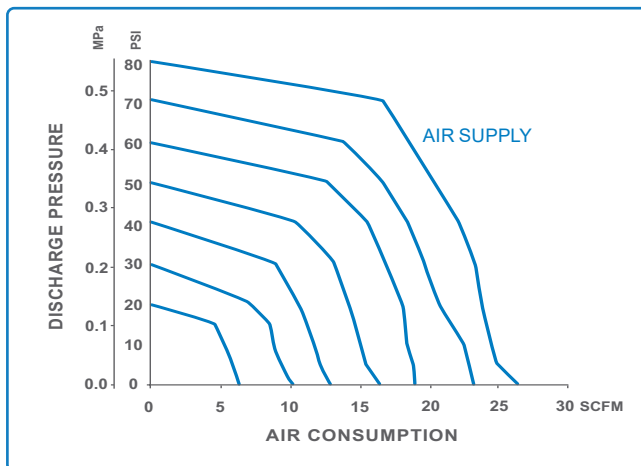
ACCESSORIES

FLUID FITTINGS	G20000	WELDABLE PIPE, 1"
	G20F16	MALE FLARE, 1" (PVDF NUT)
	G20F16-01	MALE FLARE, 1" (PFA NUT)
	G20F20	MALE FLARE, 1 1/4" (PVDF NUT)
	G20F20-01	MALE FLARE, 1 1/4" (PFA NUT)
<small>More Options Available, Contact Trebor for Information</small>		
SURGE SUPPRESSOR	SS95P5A0	SS95 Pump Mounted w/ PVDF Union Nut
	SS95P5A4	SS95 Pump Mounted w/ PP Union Nut
	SS85P5A0	SS85 Pump Mounted
PROBES	DP-S-01	AMPLIFIER; CYCLE/LEAK; (PNP)
	DP-S-02	AMPLIFIER; CYCLE/LEAK; (NPN)
	DP-C-2	CYCLE
	DP-C-6	CYCLE (120E Only)
	DP-C-27	CYCLE; MAGNETIC SHUTTLE
	DP-L-20	LEAK SENSOR
	DP-L-23	LEAK PROBE (120E Only)
<small>More Options Available, Contact Trebor for Information</small>		

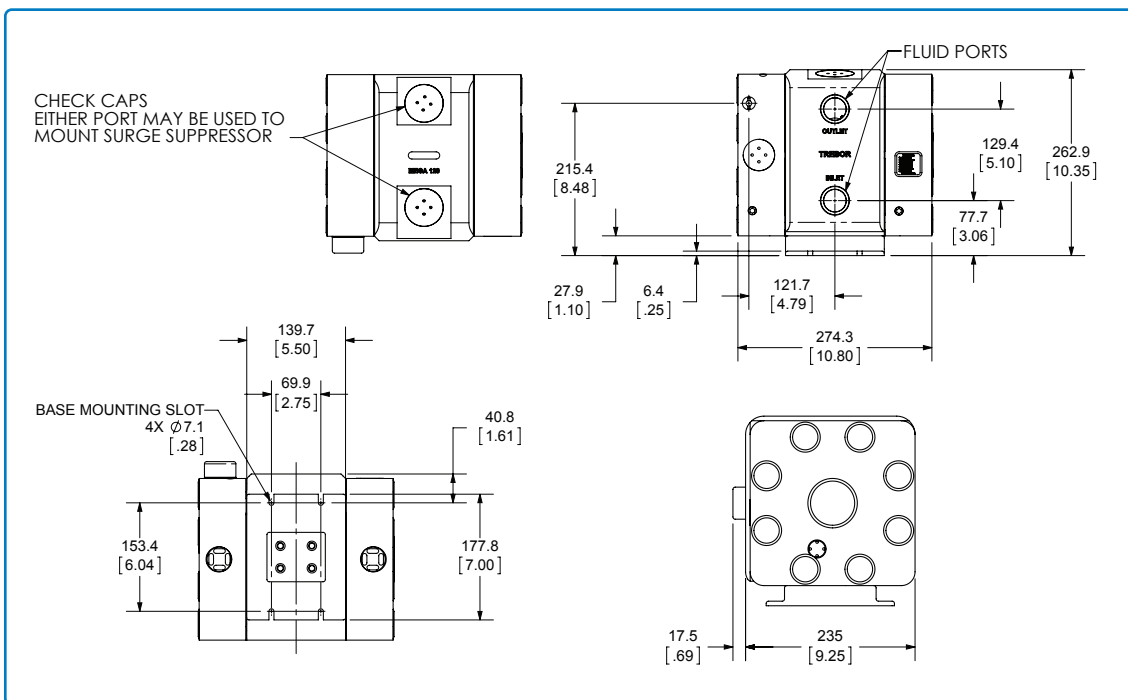
FLOW PERFORMANCE



AIR CONSUMPTION



DIMENSIONS IN MILLIMETERS (IN.)



TREBOR®

Trebor Internaional
8100 South 1300 West
West Jordan, Utah 84088 USA
Toll Free: (800) 669 1303
Email: treborinfo@idexcorp.com

TREBOR - NORTH AMERICA

8100 South 1300 West
West Jordan, Utah 84088 USA
Tel: (801) 561 0303
Email: TRE-CustomerServiceNA@idexcorp.com

TREBOR - EUROPE / MIDDLE EAST

Kalkofenstrasse 24 A
D-91227 Leinburg, Germany
Tel: +49 9120 1804-65
Mobile: +49 170 2413562
Regional Sales Manager: Manfred Stiegler
Email: MStiegler@idexcorp.com

TREBOR - ASIA

11 Ubi Road 1
Singapore, 408723
Office: +65 66847304
Mobile: +65 97474002
Regional Sales Manager: Anthony Neo
Email: ANeo@idexcorp.com



Trebor International | North/South America +1 801 244-6156 | Europe + 49 170 2413562 | Asia +65 97474002

A Unit of IDEX Corporation

treborintl.com

© Copyright 2021, Trebor Inc. All rights reserved.