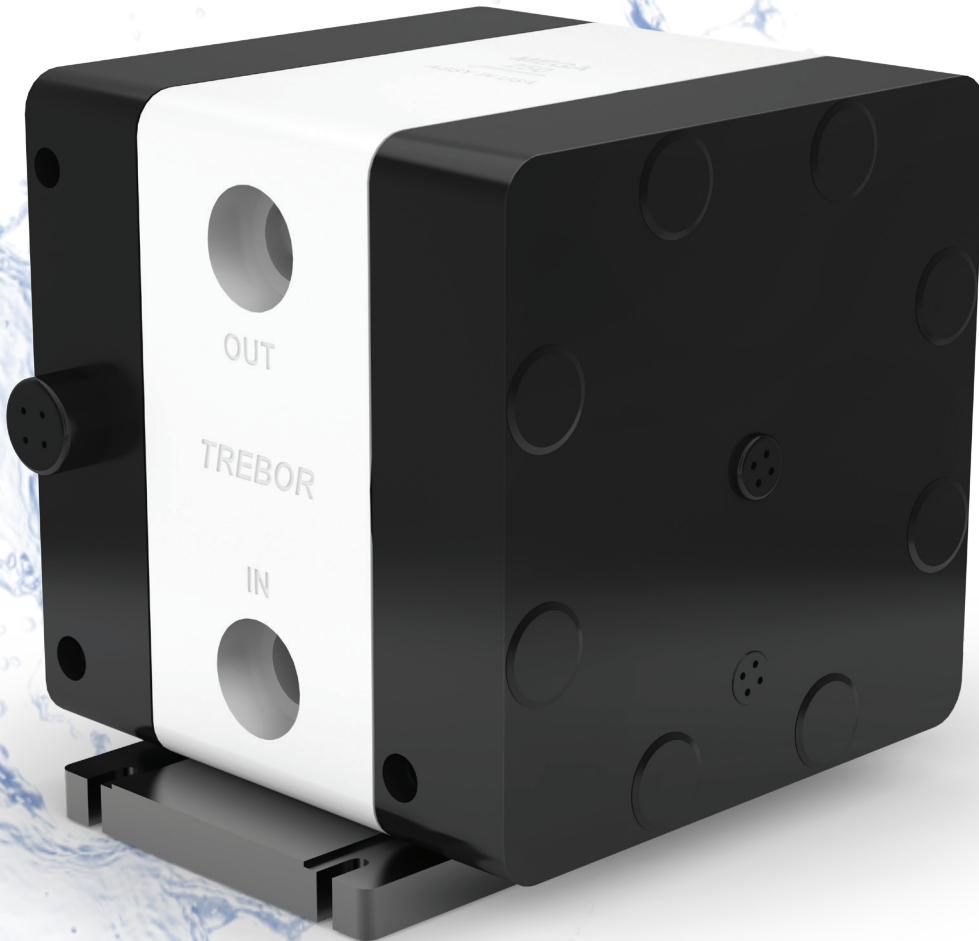


MEGA 255

Chemical Pump



HIGH BACKPRESSURE AND
DEADHEAD CAPABLE

NON-CENTERING
MAGNETIC SHUTTLE SYSTEM

HIGH SUCTION
CAPABILITIES

FREE FLOATING
DOUBLE DIAPHRAGM

REPLACABLE
SHAFT BUSHING



The Mega 255 is ideal for high flow chemical delivery applications. This pump features Trebor's non-centering magnetic shuttle that is proven to reliably operate under high pressure and closed discharge valve conditions. The fluid path is constructed entirely of PFA and PTFE to ensure high-purity pumping and chemical compatibility. The non-metallic air chamber components make this pump suitable for use in aggressive acid vapor environments. Trebor's Mega 255 uses proven pump technology to consistently meet aggressive high flow fluid handling needs.

TREBOR®

treborintl.com

Trebor International | North/South America +1 800 669 1303 | Europe + 49 9120 180465 | Asia +65 974 74002

A Unit of IDEX Corporation

© Copyright 2022, Trebor Inc. All rights reserved.



MAX FLOW

250 LPM / 66 GPM



MAX TEMPERATURE

100 °C / 212 °F



MAX PRESSURE

80 PSI / .55 MPa



DRY SUCTION LIFT

3 m / 10 ft



MATERIALS

VIRGIN PTFE/PFA Fluid Path



SHIPPING WEIGHT

39.91 kg/ 88 lbs.



APPLICATIONS

Semiconductor/Electronics,
LED/Flat Panel, Chemical
Processing Delivery





MEGA 255 | OPTIONS

PUMP	255D	MEGA 255 DISTRIBUTION PUMP
OPTIONS	A0	NO OPTION
	A1	SURGE SUPPRESSOR TOP MOUNT PORT

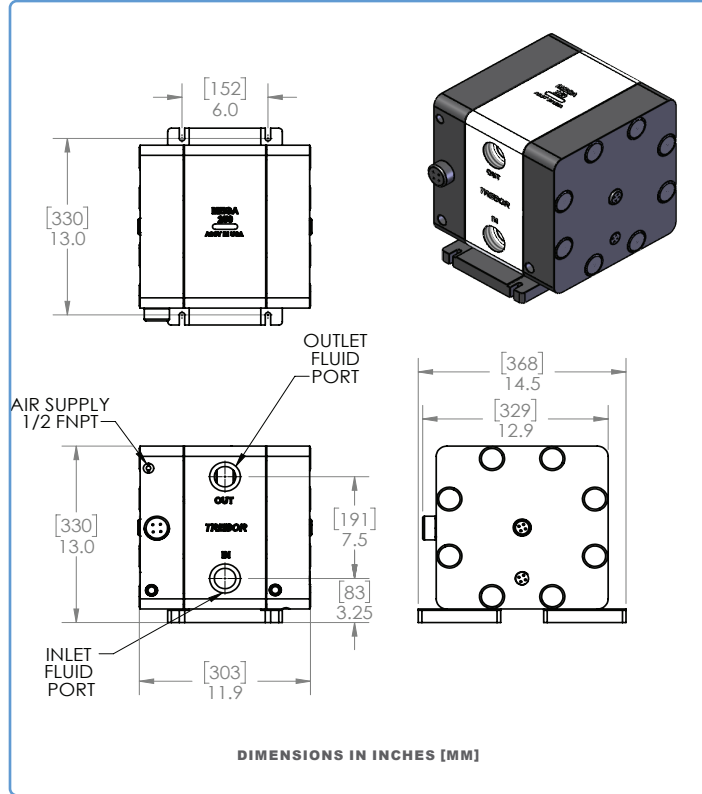
Example of an order number based on configuration options:

PUMP OPTION

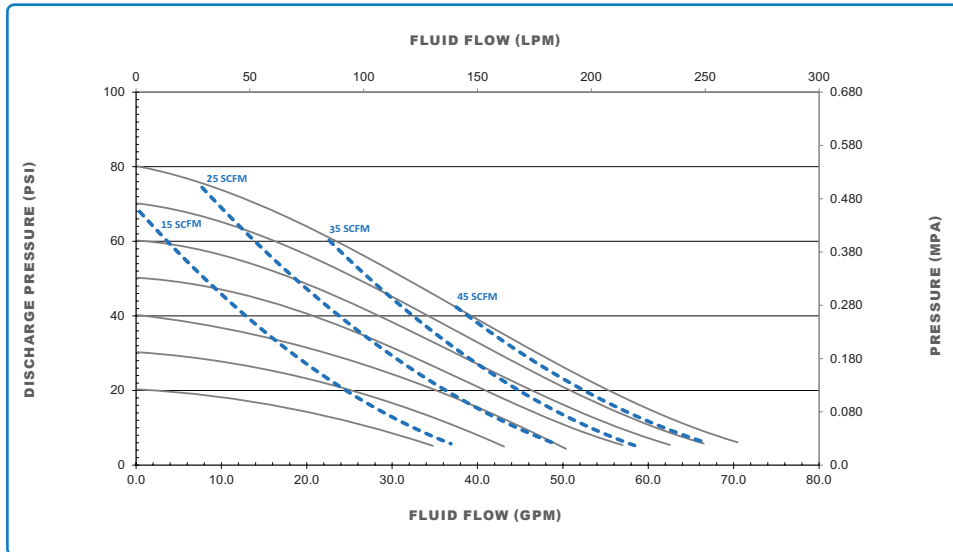
MEGA 255 | ACCESSORIES (ORDERED SEPARATELY)

PROBES	DP-S-01	AMPLIFIER; CYCLE/LEAK (SOURCE PNP; ONE PER PROBE)
	DP-S-02	AMPLIFIER; CYCLE/LEAK (SINKING NPN)
	DP-C-27	CYCLE; MAG SHUTTLE
	DP-L-20	LEAK SENSOR; FLR
FLUID FITTINGS	255B16	ADAPTER PORT; PB PIPE 1"
	255B24	ADAPTER PORT; PB PIPE 1 1/2"
	255P16	ADAPTER PORT; NPT; 1"
	255P24	ADAPTER PORT; NPT; 1 1/2"
	BQ033	ADAPTER PORT SEAL
SURGE SUPPRESSOR	SS95P5A0	PORT MOUNTED

DIMENSIONS & CONNECTIONS



MEGA 255 FLOW PERFORMANCE



Pumps are tested in accordance with the Hydraulics Institute Standard of Testing.

TREBOR®

Trebor Internaional
8100 South 1300 West
West Jordan, Utah 84088 USA
Toll Free: (800) 669 1303
Email: treborinfo@idexcorp.com

TREBOR - NORTH AMERICA

8100 South 1300 West
West Jordan, Utah 84088 USA
Tel: (801) 561 0303
Regional Sales Manager: Keith Warner
Email: KWarner@idexcorp.com

TREBOR - EUROPE / MIDDLE EAST

Kalkofenstrasse 24 A
D-91227 Leinburg, Germany
Tel: +49 9120 1804-65
Mobile: +49 170 2413562
Regional Sales Manager: Manfred Stiegler
Email: MStiegler@idexcorp.com

TREBOR - ASIA

11 Ubi Road 1
Singapore, 408723
Office: +65 66847304
Mobile: +65 97474002
Regional Sales Manager: Anthony Neo
Email: ANeo@idexcorp.com



Trebor International | North/South America +1 800 669 1303 | Europe + 49 9120 180465 | Asia +65 974 74002

A Unit of IDEX Corporation

treborintl.com

© Copyright 2022, Trebor Inc. All rights reserved.